

1-channel loading driver IC

BH6578FVM

BH6578FVM is an 1-channel loading driver IC with setting pin that can change output voltage.
Adoption of small MSOP8 package enables to reduce space in the sets.

●Applications

CD/DVD slim

●Features

- 1) MOS output wide dynamic range loading driver ($R_{ON}=1\Omega$ (TOP+Bottom))
- 2) With output voltage setting pin
- 3) Built-in thermal shutdown circuit

●Absolute maximum ratings (Ta=25°C)

Parameter	Symbol	Limits	Unit
Supply voltage	V _{CC}	7	V
Power dissipation	P _d	550 *	mW
Operating temperature range	T _{opr}	-35~+85	°C
Storage temperature range	T _{stg}	-55~+150	°C

* Derating:4.4mW/°C for operation above Ta=25°C

●Recommended operating conditions

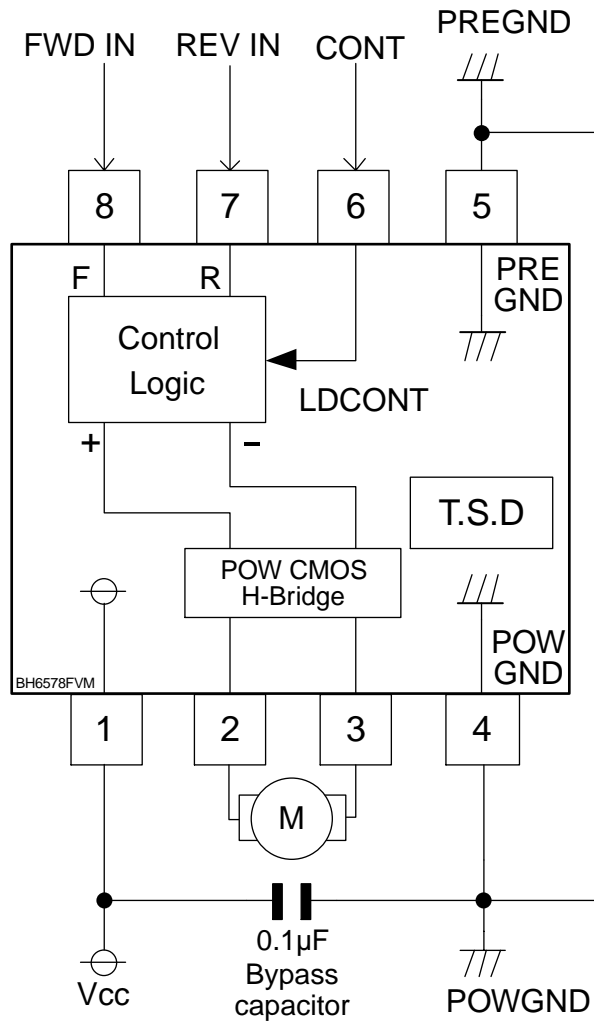
Parameter	Symbol	Min.	Typ.	Max.	Unit
Supply voltage	V _{CC}	4.5	5.0	5.5	V

●Electrical characteristics (unless otherwise noted, Ta=25°C, V_{CC}=5V)

Parameter	Symbol	Min.	Typ.	Max.	Unit	Conditions
Circuit current at no signal	I _{CC}	–	0.4	0.8	mA	
Output offset voltage	VOFSL	-15	0	+15	mV	Brake mode
ON resistance	R _{ON}	–	1.0	1.8	Ω	I _o =500mA, Top+Bottom
Voltage gain	GVLD	4.5	6.0	7.5	dB	CONT=1V
Positive/negative voltage differential gain	ΔGVLD	-2.0	0	2.0	dB	
Input pin inflow current	INL	–	86	120	μA	FIN=RIN=5V
LDCONT pin outflow current	ILD _C	–	–	300	nA	CONT=2V

Optical disc ICs

●Application Circuit



●External dimensions (Units : mm)

